

Unleash the Power of Oldsmobile Engines: A Comprehensive Guide to Building Max Performance

Get ready to embark on an exhilarating journey into the world of high-performance Oldsmobile engines! Our comprehensive guidebook, "Oldsmobile Engines: How to Build Max Performance," is the ultimate resource for enthusiasts seeking to optimize the power and efficiency of their beloved Olds engines.

The Heart of Oldsmobile: Engine History and Evolution

Our book delves into the rich history of Oldsmobile engines, tracing their evolution from the early L-head V8s to the legendary Rocket V8 and beyond. You'll learn about the design innovations, technological advancements, and racing heritage that have shaped the legacy of these iconic powertrains.



Oldsmobile V-8 Engines: How to Build Max Performance by Dietmar Sternad

★★★★☆ 4.7 out of 5

Language : English

File size : 196523 KB

Text-to-Speech : Enabled

Screen Reader : Supported

Enhanced typesetting : Enabled

Print length : 476 pages

FREE

DOWNLOAD E-BOOK





Building Your Dream Engine: Step-by-Step Instructions

With a structured and easy-to-follow approach, our guide takes you through every stage of building a high-performance Oldsmobile engine. From disassembling and rebuilding to selecting the optimal components, our detailed instructions ensure success for every enthusiast, regardless of their experience level.

- **Engine Disassembly:** Learn the proper techniques for safely and efficiently disassembling your Olds engine, ensuring minimal damage and preserving critical parts.
- **Cylinder Head Modification:** Optimize air intake and exhaust flow with expert guidance on cylinder head modifications, including porting, polishing, and valve work.
- **Camshaft and Valvetrain Upgrade:** Unlock greater power and responsiveness by selecting the ideal camshaft and valvetrain components, tailored to your specific performance goals.
- **Crankshaft and Piston Selection:** Explore the key considerations for choosing the perfect crankshaft and pistons for your performance build, balancing durability and horsepower.
- **Intake and Exhaust Systems:** Enhance engine breathing with customized intake and exhaust systems designed to maximize airflow and reduce restrictions.

Tuning for Maximum Power and Efficiency

Once your engine is assembled, our book provides comprehensive instructions for tuning it to perfection. From fuel injection and ignition timing to air/fuel ratio optimization, we cover all aspects of tuning to extract maximum power and efficiency from your Oldsmobile engine.



Special Applications and Performance Upgrades

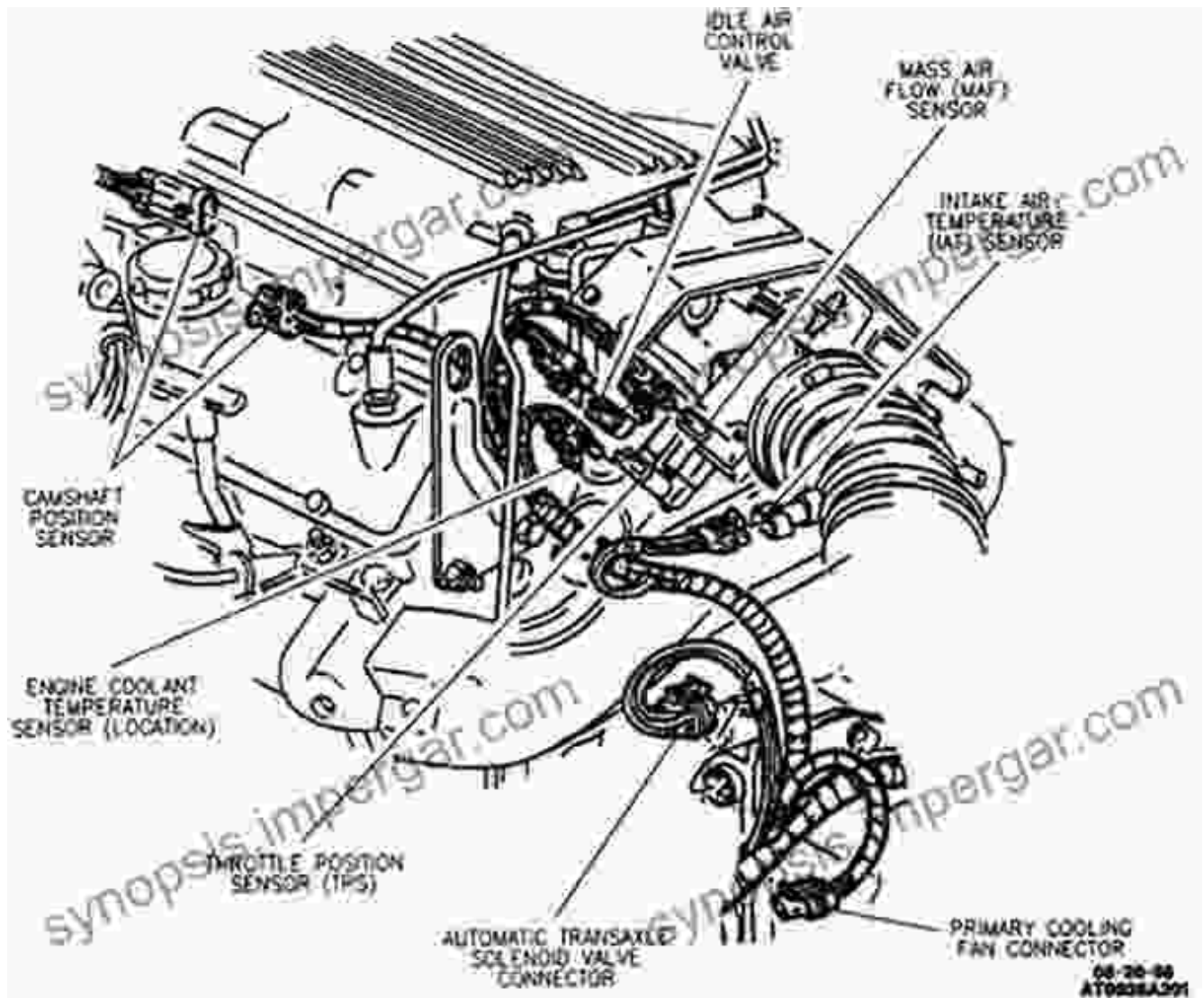
Our guide also addresses specific performance upgrades and applications for Oldsmobile engines. Whether you're looking to build a screaming street machine or a competition-dominating dragster, we provide expert advice on:

- **Forced Induction:** Unleash the power of turbochargers and superchargers to boost horsepower and torque beyond factory limits.
- **Nitrous Oxide Injection:** Explore the use of nitrous oxide as a performance-enhancing additive, delivering instant bursts of power when needed.

- **Competition Preparation:** Learn the secrets of building Oldsmobile engines for racing success, including drag racing, circle track, and road racing.

Troubleshooting and Diagnostics

To ensure your Oldsmobile engine performs at its peak, our guide offers comprehensive troubleshooting and diagnostics sections. With clear descriptions of common problems and step-by-step troubleshooting procedures, you'll be able to quickly resolve any issues that arise.



"Oldsmobile Engines: How to Build Max Performance" is the definitive guide for anyone seeking to unleash the full potential of their Oldsmobile engine. With meticulous instructions, expert advice, and comprehensive coverage of special applications and upgrades, this book empowers every enthusiast to build the engine of their dreams and experience the exhilaration of true performance.

Free Download your copy today and embark on a journey to maximize the power and performance of your Oldsmobile!

Call to Action

Don't miss out on the opportunity to own the most comprehensive and authoritative guide to building high-performance Oldsmobile engines. Free Download your copy of "Oldsmobile Engines: How to Build Max Performance" now and unlock the true potential of your classic muscle car!



Oldsmobile V-8 Engines: How to Build Max Performance by Dietmar Sternad

★ ★ ★ ★ ☆ 4.7 out of 5

Language : English

File size : 196523 KB

Text-to-Speech : Enabled

Screen Reader : Supported

Enhanced typesetting : Enabled

Print length : 476 pages





38 Art Made During The Pandemic Digitally Enhanced Art Made During The 2024

By [Author's Name] The year 2024 was a time of great upheaval and uncertainty. The COVID-19 pandemic had swept across the globe, leaving death and destruction in its wake....



Amazing Cooking Guide To South Beach Diet: Your Culinary Compass to a Healthier Lifestyle

Embark on a Culinary Odyssey: The In the realm of healthy eating, the South Beach Diet stands apart as a beacon of balance and...